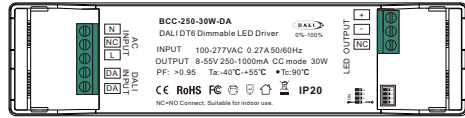


30W DALI DT6 Dimmable LED Driver (CC mode)

CE RoHS FC    IP20

Important: Read All Instructions Prior to Installation



Features

- DALI DT6 dimming.
- Dimming range 0%~100%.
- Output current level selectable from 250mA to 1000mA.
- High power factor $\geq 95\%$.
- Voltage accuracy be confined to $\pm 2.0\%$.
- Current accuracy be confined to $\pm 5.0\%$.
- Load regulation $< 2\%$
- Extra-low voltage class 2 outputs, IP20 rated.
- Short circuit & over-current & over-voltage protection.
- Working temp $-30 \sim \pm 50^\circ\text{C}$.

Parameters

Output	LED Channel	1 Channel
	DC Voltage	8-55V, as per DIP selection
	Current Max.	250-1000mA, as per DIP selection
	Voltage Tolerance	$\pm 3\%$
	Rated Power	30W max.
Input	Voltage Range	100-277VAC
	Frequency Range	50/60Hz
	Power Factor	$> 0.90 @ 230\text{VAC}$
	THD	$\leq 12\% (@ \text{full load} / 230\text{VAC})$
	Efficiency	$86\% @ 230\text{VAC full load}$
	AC Current	$0.17\text{A} @ 230\text{VAC}$
	Surge Current	COLD START Max. $35\text{A} @ 230\text{VAC}$
	Leakage Current	$< 0.5\text{mA} / 230\text{VAC}$
Standby Power Consumption	$< 0.5\text{W}$	

Protection	Over Voltage	Lock mode, can be restored after fault removed and restart
	Over Load	Restored after fault removed and restart
	Short Circuit	Short circuit without damage, Hiccup mode, Auto-recovery
	Over temperature	Hiccup mode, remove temperature can be self-recovery
Environment	Working Temp.	$-30^\circ\text{C} \sim +50^\circ\text{C}$
	Working Humidity	10% ~ 95% RH
	Storage Temp. & Humidity	$-40^\circ\text{C} \sim +80^\circ\text{C}$, 10% ~ 95% RH
	Max. Case Temp.	$85^\circ\text{C} (T_a = 50^\circ\text{C})$
Safety & EMC	Safety Standards	UL 1310, CSA C22.2#223, EN 61347-1, EN 61347-2-13, EN 62493, AS/NZS 61347.1
	Withstand Voltage	I/P-O/P: 3.75KVAC
	Isolation Resistance	I/P-O/P: 100M Ohms / 500VDC / $25^\circ\text{C} / 70\% \text{RH}$
	EMC Emission	FCC Part 15 Subpart B, EN 55015:2013+A1, EN 61547:2009
	EMC Immunity	EN IEC 61000-3-2:2019, EN 61000-3-3:2013
	Cooling Method	Air Natural Cooling
	Dimension	$166 \times 40 \times 28\text{mm} (L \times W \times H)$
	Warranty	5 Years
Dimming Control	Dimming Interface	DALI DT6 (DALI consumption $< 2\text{mA}$) / Push
	Dimming Range	0%-100%
	Dimming Method	PWM
	Dimming Curve	Linear/Logarithmic optional

*All parameters are typical values tested at an ambient temperature of 25°C , unless otherwise specified.

Safety & Warnings

- DO NOT install with power applied to the device.
- DO NOT expose the device to moisture. (except for waterproof power supplies)
- This driver should be installed by qualified and professional person.
- Please make sure the driver is installed with adequate ventilation around it to allow for heat dissipation.
- Ensure that wiring is correct before testing in order to avoid light and power supply damage.
- If driver can not work normally, don't maintain privately.

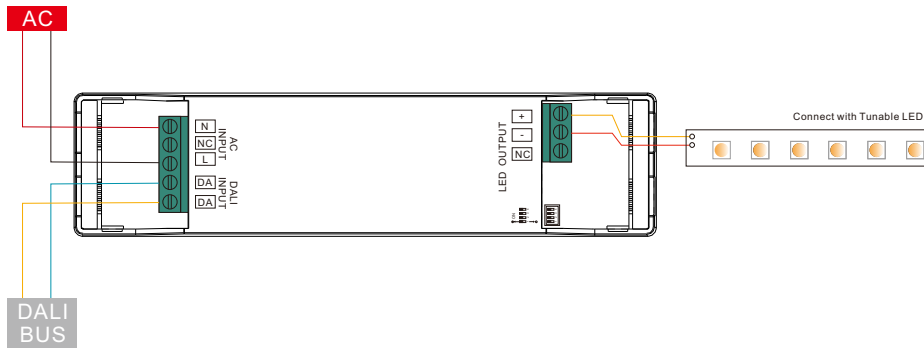
Operation

>> DALI Address

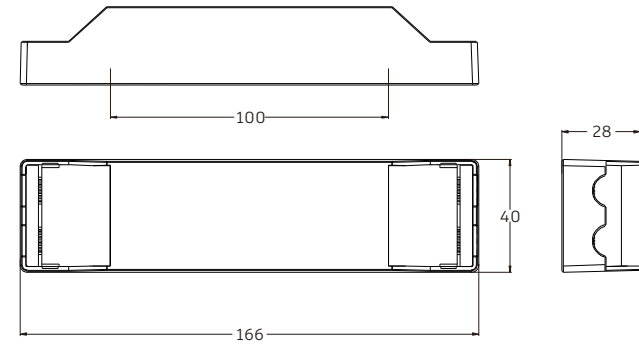
1. DALI address for 1 channels output are assigned by DALI Master controller automatically, please refer to user manuals of compatible DALI Masters for specific operations.

2. For specifications and wiring, please refer to the wiring diagram on the back. Please carefully check the wiring for correctness before applying power.

Wiring diagram



Product Dimension



LED Current Selection

Voltage	Current	DIP				Voltage	Current	DIP			
		1	2	3	4			1	2	3	4
8-55V	250mA	○	○	○	○	8-55V	650mA	●	○	○	○
8-55V	300mA	○	○	○	●	8-55V	700mA	●	○	○	●
8-55V	350mA	○	○	●	○	8-55V	750mA	●	○	●	○
8-55V	400mA	○	○	●	●	8-55V	800mA	●	○	●	●
8-55V	450mA	○	●	○	○	8-55V	850mA	●	●	○	○
8-55V	500mA	○	●	○	●	8-53V	900mA	●	●	○	●
8-55V	550mA	○	●	●	○	8-51V	950mA	●	●	●	○
8-55V	600mA	○	●	●	●	8-50V	1000mA	●	●	●	●